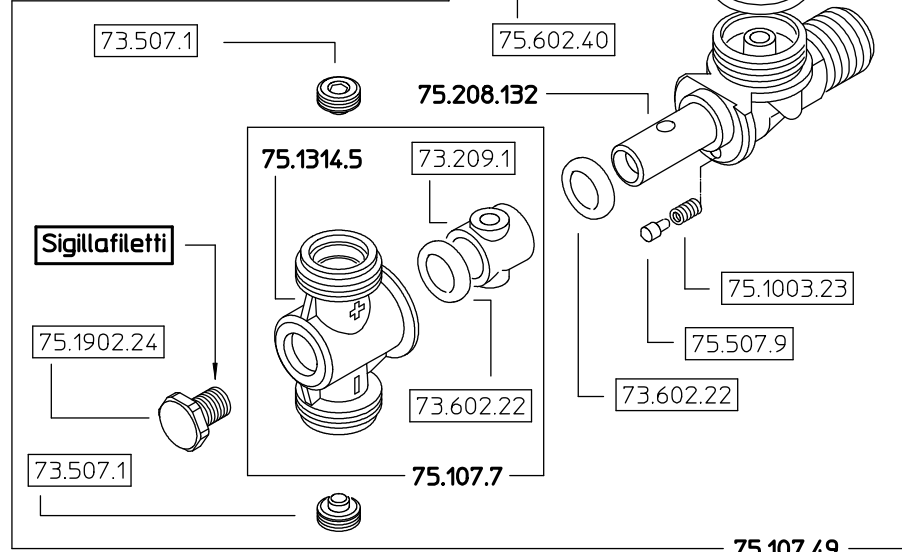
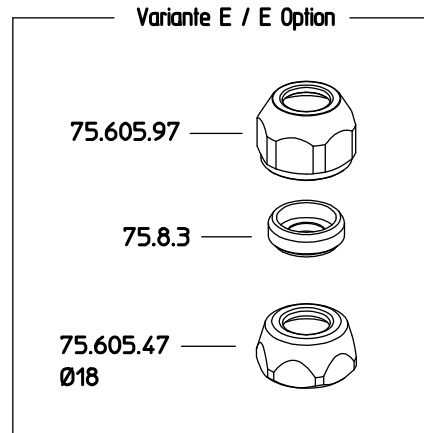
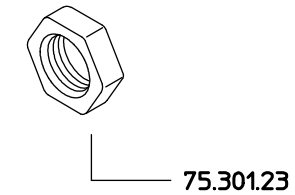
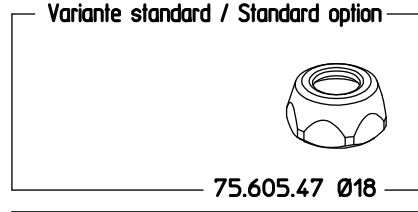
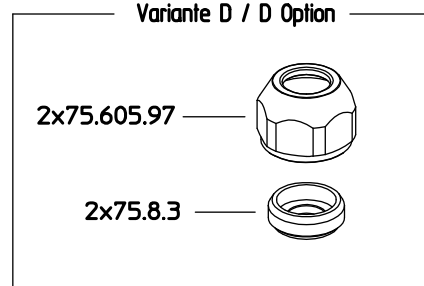
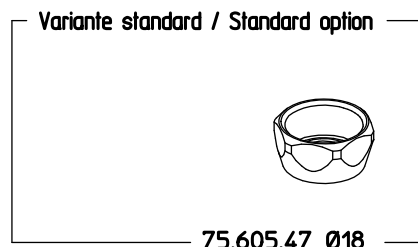
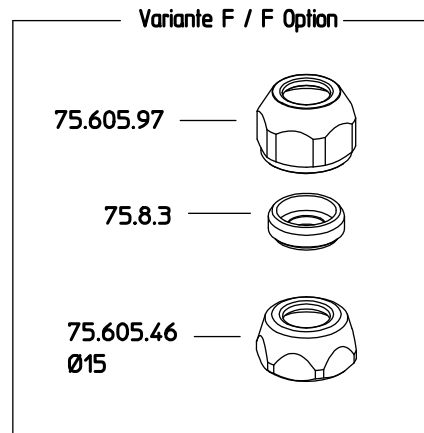


**75.617.11**  
**75.617.11 A**  
**75.617.11 B**  
**75.617.11 D**  
**75.617.11 E**  
**75.617.11 F**



Solo per kit  
Only for kit

23.602.34	X2
68.602.10	
73.602.22	X3
260.602.14	X2



Come si ordina/How to order  
 Kit ricambio-Cod. **75.302.28**  
 Spare parts kit-C/N. **75.302.28**

DENOMINAZIONE: <b>Getto M75 Ø18 G3/8 M</b>		N°revisione <b>02</b>	Data revisione: <b>22/02/10</b>
<b>Braglia</b> SRL <small>I-42029 Masone (REGGIO EMILIA)-ITALY-UE Email: braglia@braglia.it</small>	Tel. ++39 0522 340648	STE	RTE
	Fax. ++39 0522 345025		
		<b>75.617.11</b>	